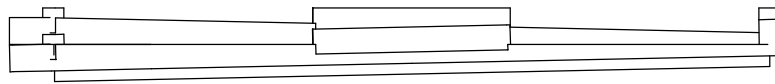
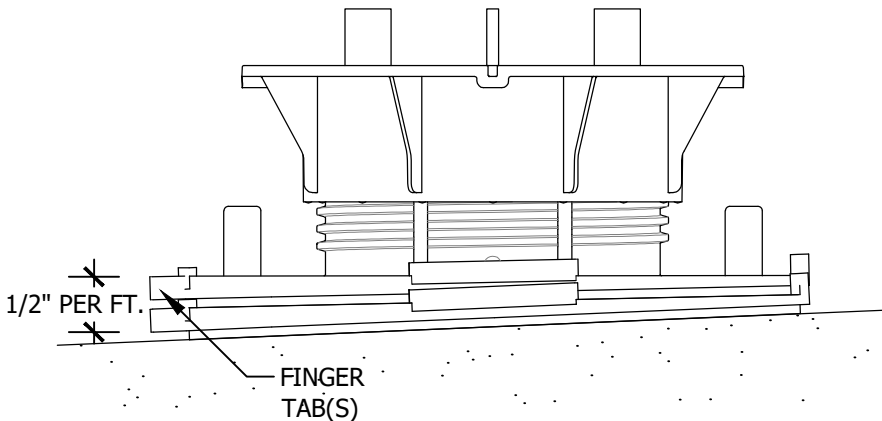
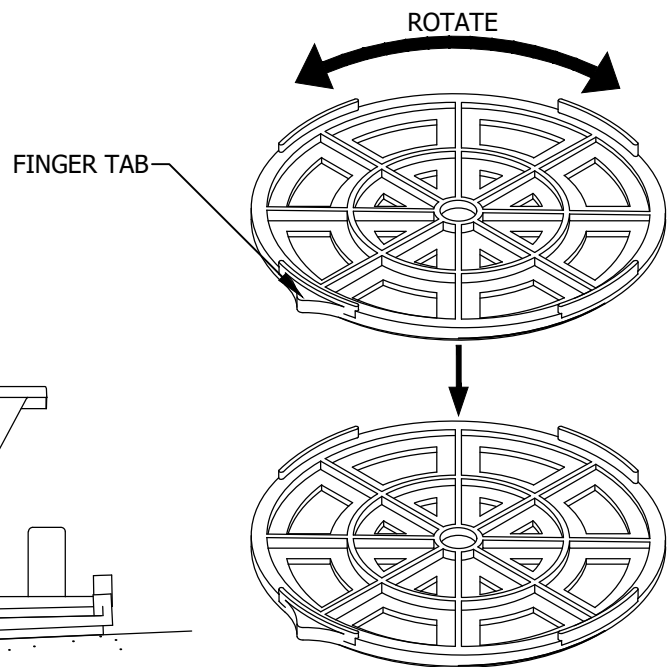




701 Osage Street, Unit 120, Denver, CO 80204 USA
Phone 303.892.0400 Toll Free 800.333.4234 Fax 303.825.5988
EMail info@bisonip.com Web www.bisonip.com



ADJUSTS FROM 0" TO 1/2" PER FT. OF SLOPE COMPENSATION.



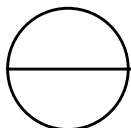
POINT BOTH FINGER TABS DOWN HILL FOR MAXIMUM SLOPE COMPENSATION.

ROTATE DISCS IN RELATION TO EACH OTHER TO COMPENSATE FOR AN APPROXIMATE RANGE (0-4%) OF SLOPE.

VB BASE LEVELERS FUNCTION AS TWO LD4 LEVELING DISCS WORKING TOGETHER AND ATTACH TO THE BOTTOM OF VERSADJUST PEDESTALS. 2 LD4s MAY BE STACKED BELOW THE VB BASE LEVELER IN ORDER TO COMPENSATE FOR AN ADDITIONAL 0" TO 1/2" PER FOOT (0-4%), PROVIDING A MAXIMUM OF 1" PER FOOT (8%) SLOPE COMPENSATION.

GENERAL NOTES: APPLY TO ALL OF THE ABOVE PRODUCTS

1. INSTALLATION MUST BE COMPLETED IN ACCORDANCE WITH BISON INNOVATIVE PRODUCTS SPECIFICATIONS.
2. DRAWINGS NOT TO SCALE.
3. CONTRACTOR'S NOTE: FOR PRODUCT AND COMPANY INFORMATION VISIT www.BisonIP.com



VB BASE LEVELER

SLOPE COMPENSATION FROM 0" TO 1" PER FOOT