

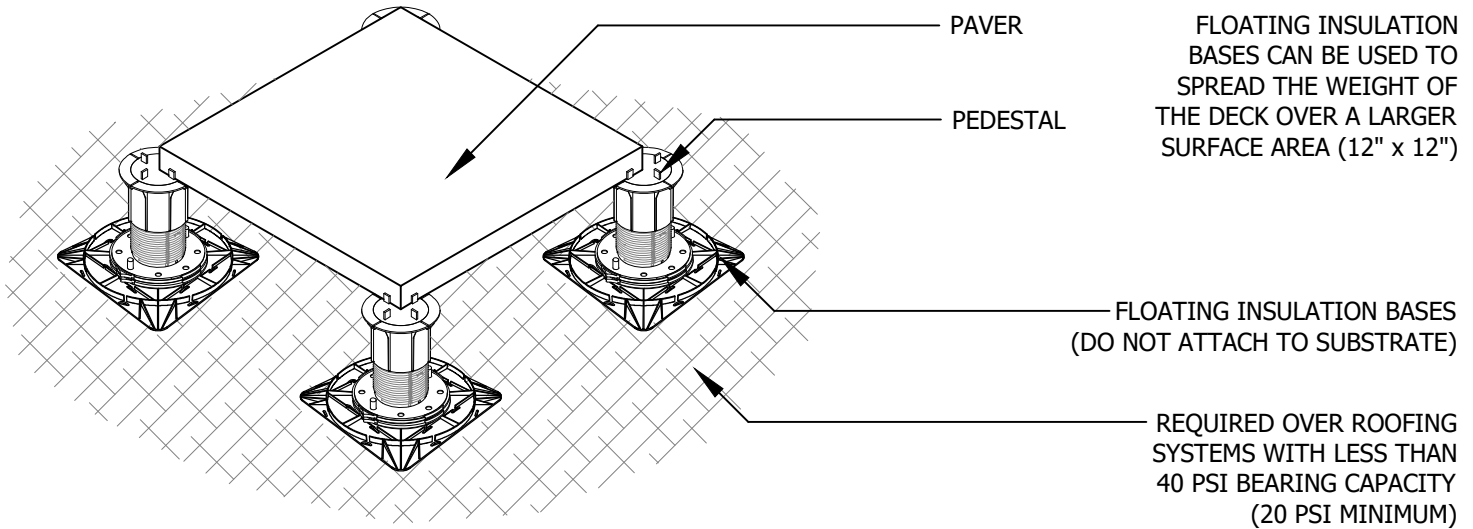


**BISON** Innovative Products

Get CEU Credits, Details, & Specifications online at [www.bisonip.com](http://www.bisonip.com)

701 Osage Street, Unit 120, Denver, CO 80204 USA  
Phone 303.892.0400 Toll Free 800.333.4234 Fax 303.825.5988  
EMail [info@bisonip.com](mailto:info@bisonip.com) Web [www.bisonip.com](http://www.bisonip.com)

**VERSADJUST**  
Adjustable Pedestals

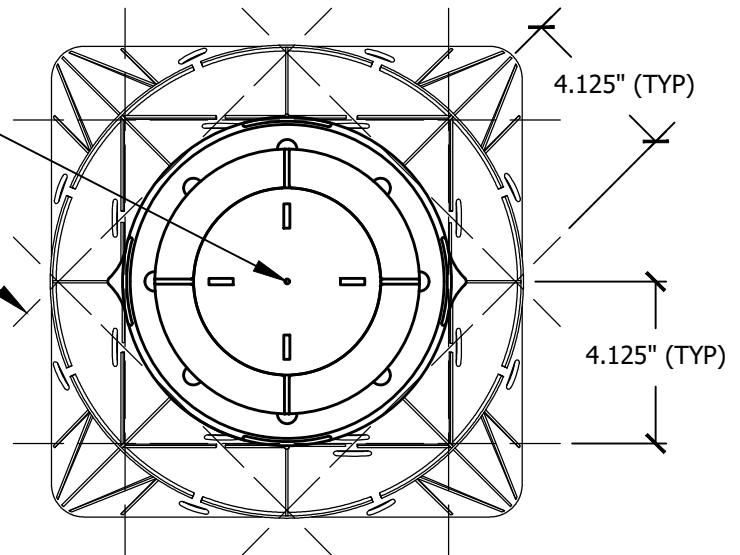


## PEDESTALS ON FLOATING INSULATION BASES (FIBs)

IMPORTANT: THE PEDESTAL MUST BE PLACED IN THE CENTER OF THE FLOATING INSULATION BASE FOR PROPER INSTALLATION.

THE FIB MAY BE TRIMMED TO ACCOMMODATE NARROW PERIMETER PLACEMENT IF NECESSARY. TRIM AT LEAST 4.125" AWAY FROM THE CENTER RIBS AS SHOWN BY THE SCORE LINES IN THE DIAGRAM TO THE RIGHT.

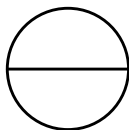
THE FIB IS NOT RECOMMENDED FOR USE WITH VT AND HD25 FIXED HEIGHT PEDESTALS.



## PEDESTAL PLACEMENT AND TRIMMING

GENERAL NOTES: APPLY TO ALL OF THE ABOVE PRODUCTS

1. INSTALLATION MUST BE COMPLETED IN ACCORDANCE WITH BISON INNOVATIVE PRODUCTS SPECIFICATIONS.
2. DRAWINGS NOT TO SCALE.
3. CONTRACTOR'S NOTE: FOR PRODUCT AND COMPANY INFORMATION VISIT [www.BisonIP.com](http://www.BisonIP.com)



**FLOATING INSULATION BASE**

FIB INSTALLATION