

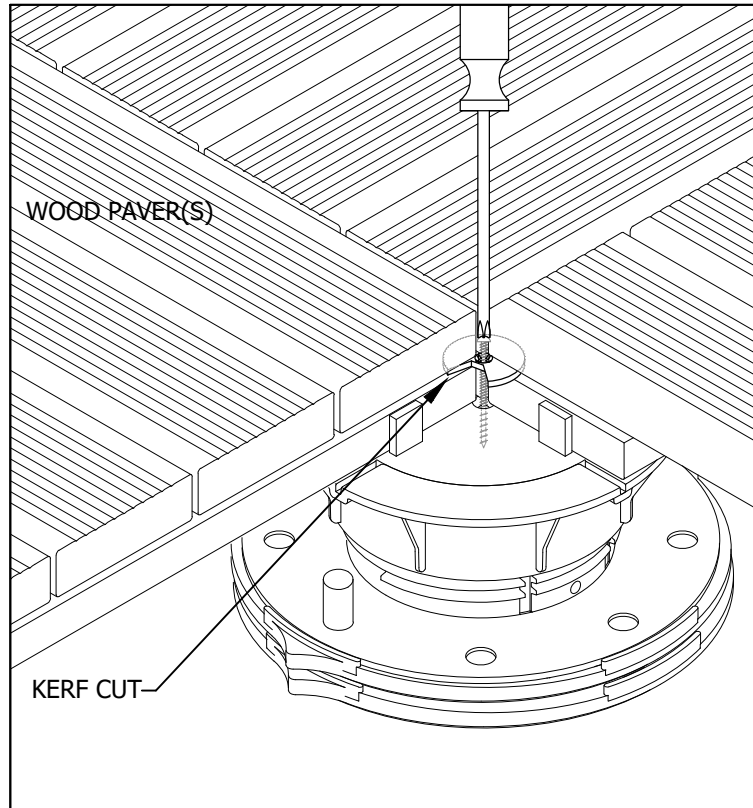


BISON Innovative Products

Get CEU Credits, Details, & Specifications online at www.bisonip.com

701 Osage Street, Unit 120, Denver, CO 80204 USA
Phone 303.892.0400 Toll Free 800.333.4234 Fax 303.825.5988
EMail info@bisonip.com Web www.bisonip.com

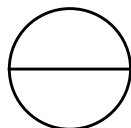
VERSADJUST
Adjustable Pedestals



PLACE THE FS-1 WASHER IN THE KERF CUT BETWEEN THE BOTTOM RAIL AND THE UPPER SLAT IN THE CORNERS OF THE THREE WOOD PAVERS. LEAVE THE NOTCH IN THE WASHER FACING OUTWARDS IN ORDER TO LEAVE ROOM TO PLACE THE 4th PAVER. AFTER ALL PAVERS ARE TIGHTLY IN PLACE, ROTATE THE WASHER USING A SCREWDRIVER SO THAT THE SOLID PART OF THE WASHER IS IN CONTACT WITH THE CORNERS OF ALL FOUR PAVERS. INSERT THE FS-1 SCREW THROUGH THE HOLE IN THE CENTER OF THE WASHER AND THE PILOT HOLE IN THE CENTER OF THE TAB SET INTO THE TOP OF THE PEDESTAL. HAND TIGHTEN UNTIL THE CORNERS OF ALL FOUR PAVERS ARE SECURELY FASTENED TO THE PEDESTAL, DO NOT OVER-TIGHTEN.

GENERAL NOTES: APPLY TO ALL OF THE ABOVE PRODUCTS

1. INSTALLATION MUST BE COMPLETED IN ACCORDANCE WITH BISON INNOVATIVE PRODUCTS SPECIFICATIONS.
2. DRAWINGS NOT TO SCALE.
3. CONTRACTOR'S NOTE: FOR PRODUCT AND COMPANY INFORMATION VISIT www.BisonIP.com



FS-1 FASTENING KIT

USING AN FS-1 WITH BISON WOOD PAVERS