



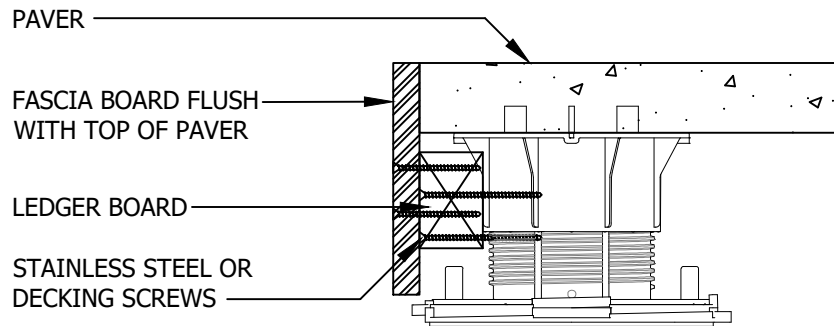
BISON Innovative Products

Get CEU Credits, Details, & Specifications online at www.bisonip.com

701 Osage Street, Unit 120, Denver, CO 80204 USA
Phone 303.892.0400 Toll Free 800.333.4234 Fax 303.825.5988
EMail info@bisonip.com Web www.bisonip.com

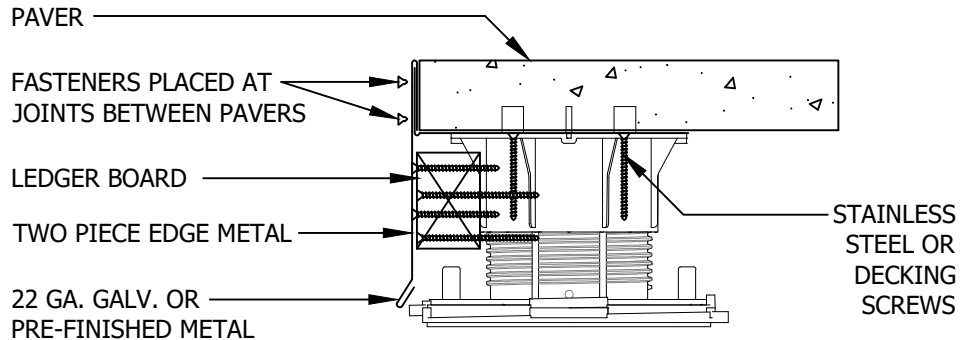
VERSADJUST
Adjustable Pedestals

BOTTOM OF FASCIA BOARD
MAY BE CUT ABOVE
SUBSTRATE TO ALLOW
WATER TO ESCAPE. FASCIA
BOARD MUST FULLY
CONTAIN PAVERS, AND
MUST TIE BACK INTO A
BUILDING WALL OR
PARAPET.



WOOD FASCIA CONTAINMENT

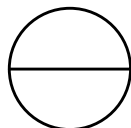
BOTTOM OF METAL
CONTAINMENT MAY BE
BENT OR CUT ABOVE
SUBSTRATE TO ALLOW
WATER TO ESCAPE. METAL
CONTAINMENT MUST FULLY
CONTAIN PAVERS, AND
MUST TIE BACK IN TO A
BUILDING WALL OR
PARAPET.



METAL FLASHING CONTAINMENT

GENERAL NOTES: APPLY TO ALL OF THE ABOVE PRODUCTS

1. INSTALLATION MUST BE COMPLETED IN ACCORDANCE WITH BISON INNOVATIVE PRODUCTS SPECIFICATIONS.
2. DRAWINGS NOT TO SCALE.
3. CONTRACTOR'S NOTE: FOR PRODUCT AND COMPANY INFORMATION VISIT www.BisonIP.com



EDGE RESTRAINT

WOOD OR METAL PERIMETER CONTAINMENT