

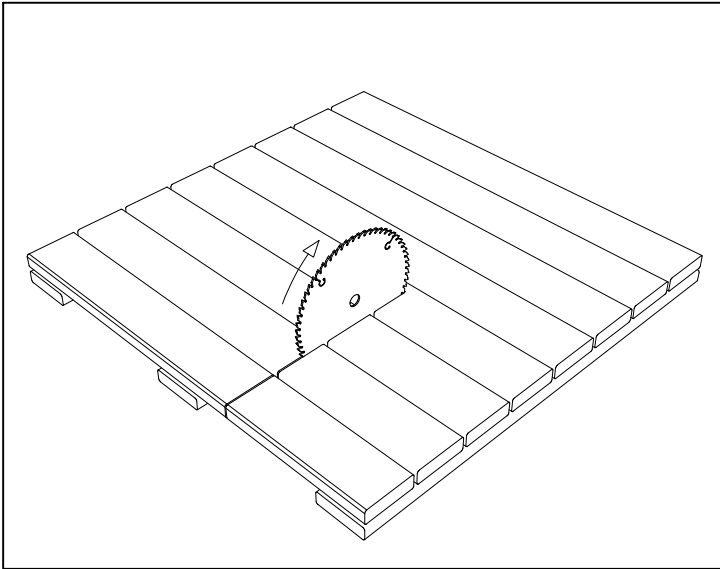


BISON Innovative Products

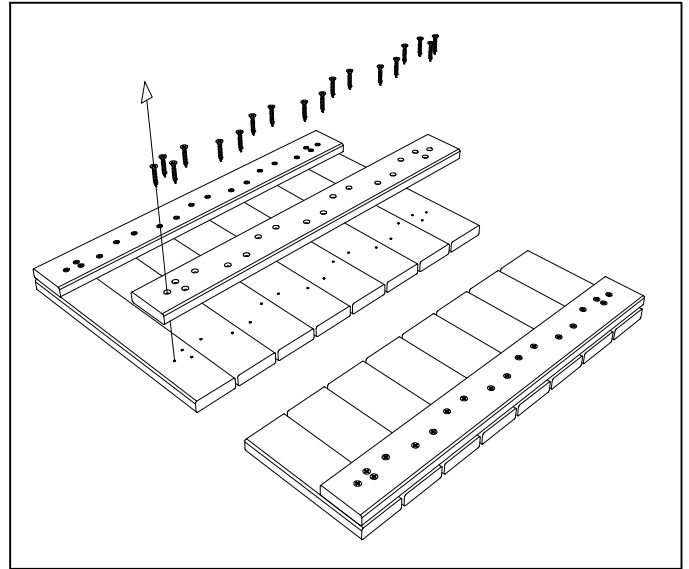
Get CEU Credits, Details, & Specifications online at www.bisonip.com

701 Osage Street, Unit 120, Denver, CO 80204 USA
Phone 303.892.0400 Toll Free 800.333.4234 Fax 303.825.5988
EMail info@bisonip.com Web www.bisonip.com

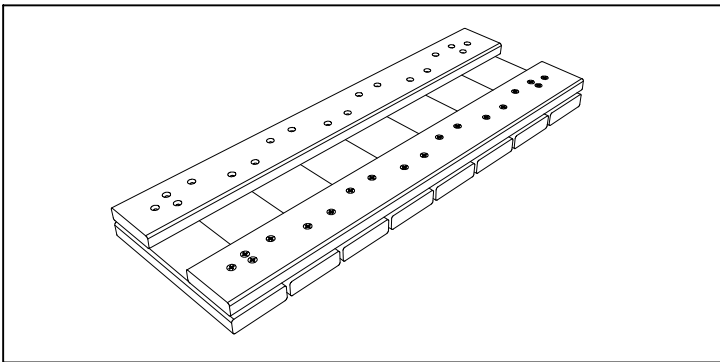
VERSADJUST
Adjustable Pedestals



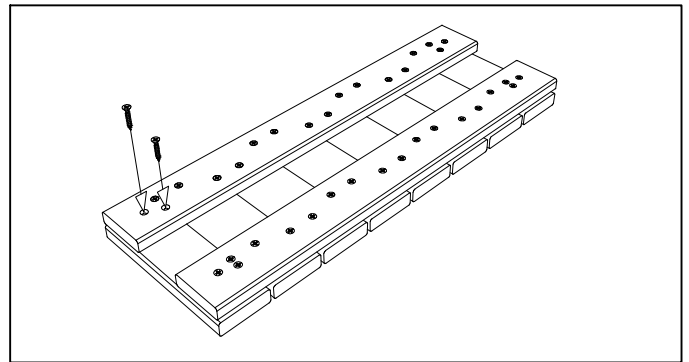
1. AFTER MEASURING, CUT THE TILE TO THE DESIRED SIZE WITH A HIGH QUALITY CARBIDE SAW BLADE. CUT FROM THE TOP AS SHOWN IF USING A HAND SAW OR TURN THE TILE OVER FOR A TABLE SAW.



2. AFTER CUTTING, WITH THE TILE UPSIDE DOWN, REMOVE A BOTTOM RUNNER FROM THE PORTION TO BE DISCARDED, BEING CAREFUL TO NOT STRIP THE SCREW HEADS.



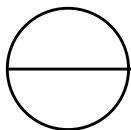
3. USING THE BOTTOM RUNNER REMOVED IN STEP 2 TO ALIGN THE HOLES, PRE-DRILL ACCORDINGLY WITH A CARBIDE BIT ON THE PORTION TO BE INSTALLED. BE SURE TO MAINTAIN A CONSISTENT SPACING BETWEEN THE PLANKS.



4. AFTER PRE-DRILLING, SCREW THE RUNNER INTO PLACE ON THE PORTION TO BE INSTALLED, RE-USING THE SCREWS REMOVED IN STEP 2.

GENERAL NOTES: APPLY TO ALL OF THE ABOVE PRODUCTS

1. INSTALLATION MUST BE COMPLETED IN ACCORDANCE WITH BISON INNOVATIVE PRODUCTS SPECIFICATIONS.
2. DRAWINGS NOT TO SCALE.
3. CONTRACTOR'S NOTE: FOR PRODUCT AND COMPANY INFORMATION VISIT www.BisonIP.com



CUTTING WOOD TILES

CUTTING WOOD TILES IN THE FIELD TO FIT PERIMETER EDGES