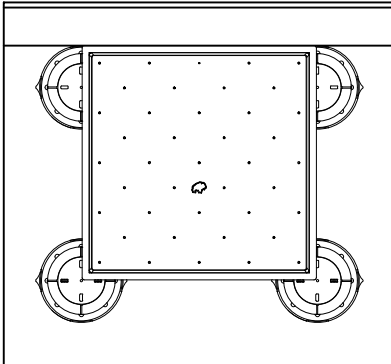


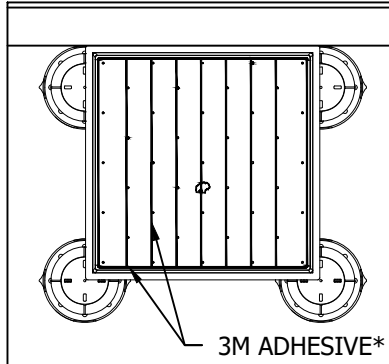


701 Osage Street, Unit 120, Denver, CO 80204 USA
Phone 303.892.0400 Toll Free 800.333.4234 Fax 303.825.5988
EMail info@bisonip.com Web www.bisonip.com

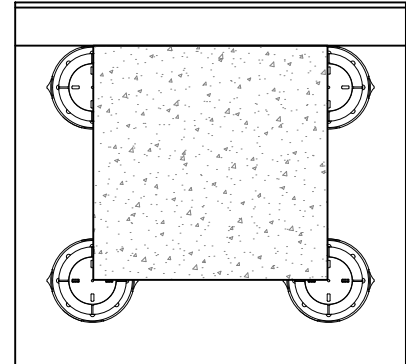
- DURING INSTALLATION ASSEMBLY, LIMIT EXPOSURE TO STANDING MOISTURE, DIRECT SUNLIGHT, AND TEMPERATURES OUTSIDE OF 40°F TO 100°F (5°C TO 37°C). CAUTION: USE GLOVES WHEN HANDLING TRAYS.
- THE STANDARD BISON PT-2424-4 PAVER TRAY WILL FIT 2CM PAVER SIZES FROM 595mm - 603mm.



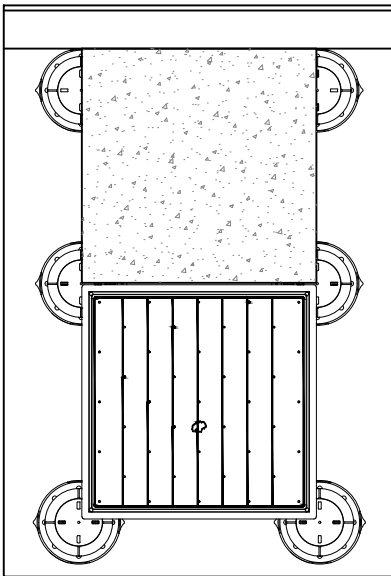
1. PLACE A TRAY ON FOUR (4x) PEDESTALS AND REMOVE TABS AS NEEDED FOR PERIMETER PLACEMENT AND ALSO ALONG THE PATH OF THE FS-12 FASTENERS.



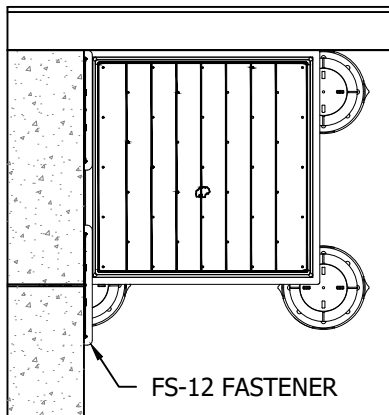
2. RUN A 1/8" DIA. BEAD OF PROVIDED 3M ADHESIVE, OFFSET 1/4" FROM THE TOP OUTER EDGE OF THE TRAY, AND A 1/8" DIA. BEAD ALONGSIDE EACH LINE OF HOLES AS SHOWN. *IMPORTANT: FOR PROPER ADHESION AND PERFORMANCE, ADHESIVE MUST BE APPLIED EXACTLY AS SHOWN. TO PREVENT MOISTURE FROM ENTERING BETWEEN PAVER AND TRAY, A CONTINUOUS PERIMETER BEAD OF ADHESIVE MUST BE INSTALLED ALONG THE EDGE OF THE TRAY.



3. PLACE THE 2CM PAVER SQUARELY ONTO THE TRAY, CAREFULLY ALIGNING BY HAND TO MAKE SURE THAT THE TRAY DOES NOT EXTEND BEYOND ANY EDGE OF THE PAVER. PULL PAVERS FROM DIFFERENT BOXES AND / OR PALLETS TO ACHIEVE AN EVEN COLOR DISTRIBUTION.



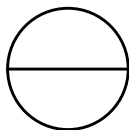
4. REPEAT THE FIRST THREE STEPS, MOVING OUT FROM THE PERIMETER WALL.



5. FOLLOWING THE BISON T-METHOD, AS INSTALLATION PROGRESSES OUT FROM THE PERIMETER WALL, WORK CAN ALSO BEGIN ALONG THE LENGTH OF THE WALL. PLACE FS-12 FASTENERS IN THE CHANNEL CREATED BETWEEN THE BOTTOM OF THE PAVER AND THE TRAY AS INSTALLATION CONTINUES OUTWARD. THESE WILL HELP TO MAINTAIN SPACING AND WILL BE SCREWED INTO THE PEDESTALS TO LOCK THE SYSTEM TOGETHER. ONCE ALL PAVERS ARE INSTALLED AND ADHESIVE HAS HAD TIME TO CURE, CAREFULLY REMOVE THE FS-12 POSTS WITH PLIERS TO AVOID CHIPPING. DO NOT ATTEMPT TO HAMMER POSTS.

GENERAL NOTES: APPLY TO ALL OF THE ABOVE PRODUCTS

1. INSTALLATION MUST BE COMPLETED IN ACCORDANCE WITH BISON INNOVATIVE PRODUCTS SPECIFICATIONS.
2. DRAWINGS NOT TO SCALE.
3. CONTRACTOR'S NOTE: FOR PRODUCT AND COMPANY INFORMATION VISIT www.BisonIP.com



PT-TRAY INSTALLATION ASSEMBLY

ADHERING A 2CM PAVER TO THE PT-TRAY DURING INSTALLATION