



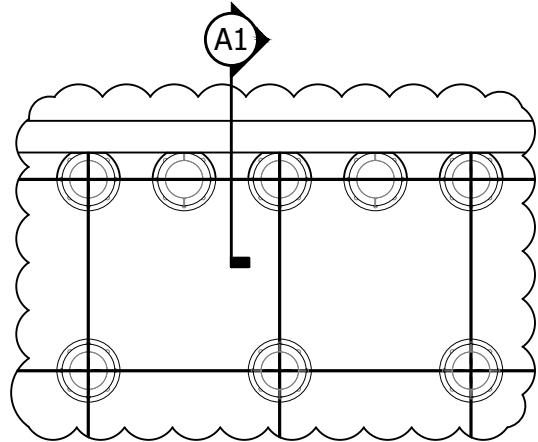
BISON Innovative Products

Get CEU Credits, Details, & Specifications online at www.bisonip.com

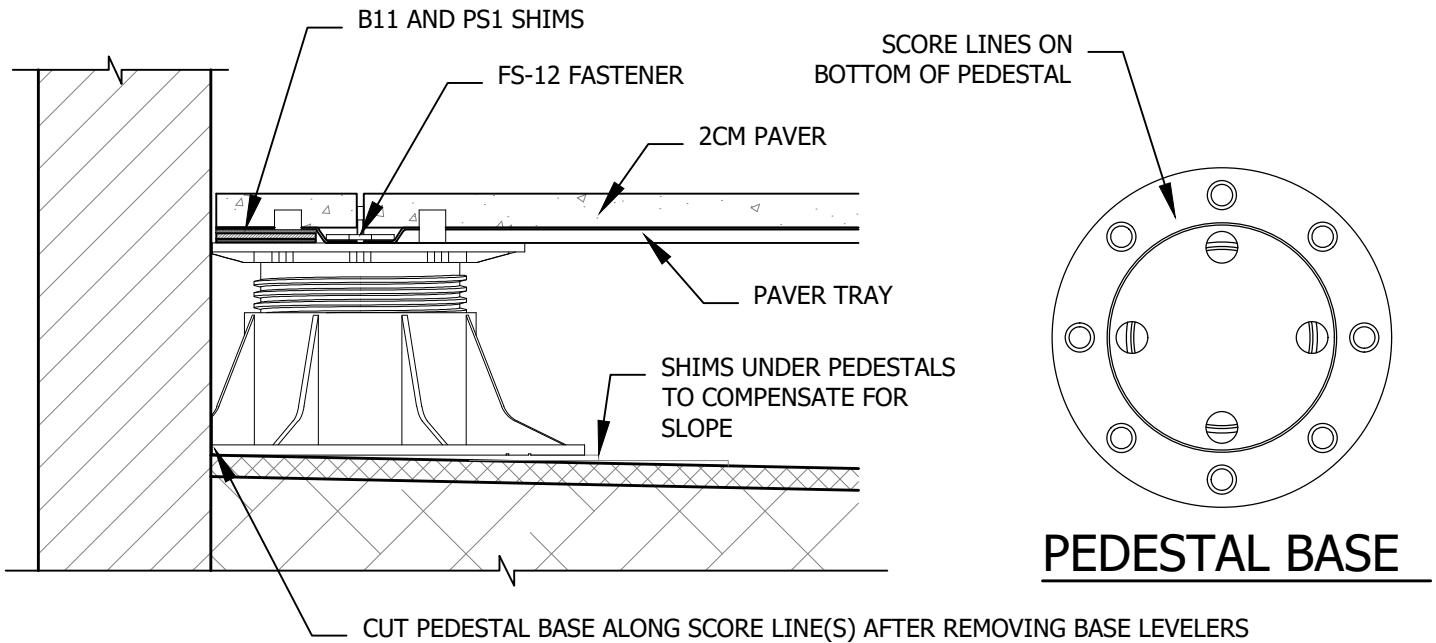
701 Osage Street, Unit 120, Denver, CO 80204 USA
Phone 303.892.0400 Toll Free 800.333.4234 Fax 303.825.5988
EMail info@bisonip.com Web www.bisonip.com

SCREWJACK
Adjustable Pedestals

IN THE CASE OF CUT PAVER TRAY ASSEMBLIES AROUND THE PERIMETER, IT MAY BE NECESSARY TO PROVIDE SUPPORT IN THE VOID CREATED BY THE REMAINING PAVER TRAY CHANNEL. IN THIS CASE, B11 AND PS1 SHIMS MAY BE CUT IN HALF AND PLACED IN COMBINATION WITH ONE ANOTHER ON TOP OF A PEDESTAL IN ORDER TO KEEP THE PAVER SURFACE LEVEL. ADHERE SHIMS TO EACH OTHER AND TO THE PEDESTAL TOP WITH CONSTRUCTION ADHESIVE IF NECESSARY. PEDESTALS MAY ALSO BE INVERTED TO PROVIDE SUPPORT IN SOME CIRCUMSTANCES (SEE V-043-PERIMETER PLACEMENT DETAIL).



CUT PAVER PERIMETER PLACEMENT



A1 PLACEMENT SECTION DETAIL

GENERAL NOTES: APPLY TO ALL OF THE ABOVE PRODUCTS

1. INSTALLATION MUST BE COMPLETED IN ACCORDANCE WITH BISON INNOVATIVE PRODUCTS SPECIFICATIONS.
2. DRAWINGS NOT TO SCALE.
3. CONTRACTOR'S NOTE: FOR PRODUCT AND COMPANY INFORMATION VISIT www.BisonIP.com



PT-TRAY PERIMETER SUPPORT

SUPPORTING THE PT-TRAY AT THE PERIMETER